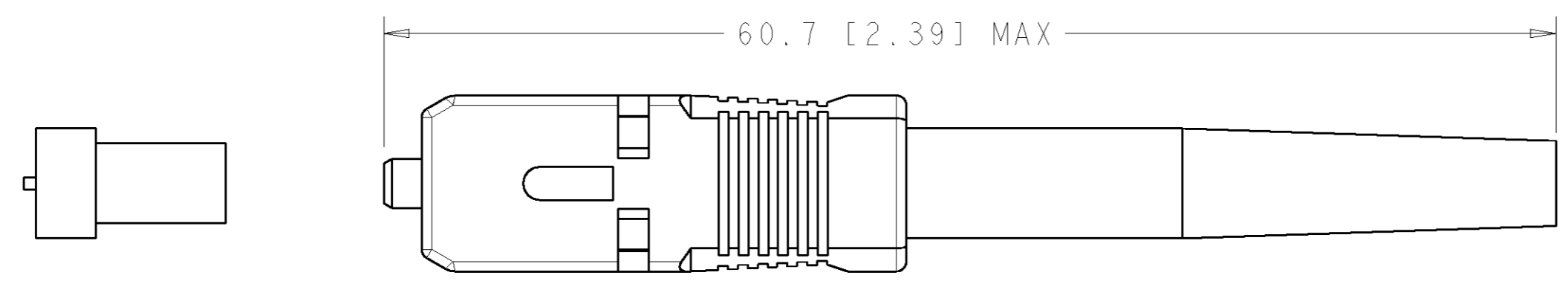


THIS DRAWING IS UNPUBLISHED. RELEASED FOR PUBLICATION 20
 © COPYRIGHT 20 BY TYCO ELECTRONICS CORPORATION. ALL RIGHTS RESERVED.

| LOC | DIST | REVISIONS | | | | | |
|-----|------|-----------|-----|-------------------------|-----------|-----|------|
| | | P | LTR | DESCRIPTION | DATE | DWN | APVD |
| CE | 00 | F | | REVISE PER 0A00-0092-05 | 06APR2005 | BB | LS |

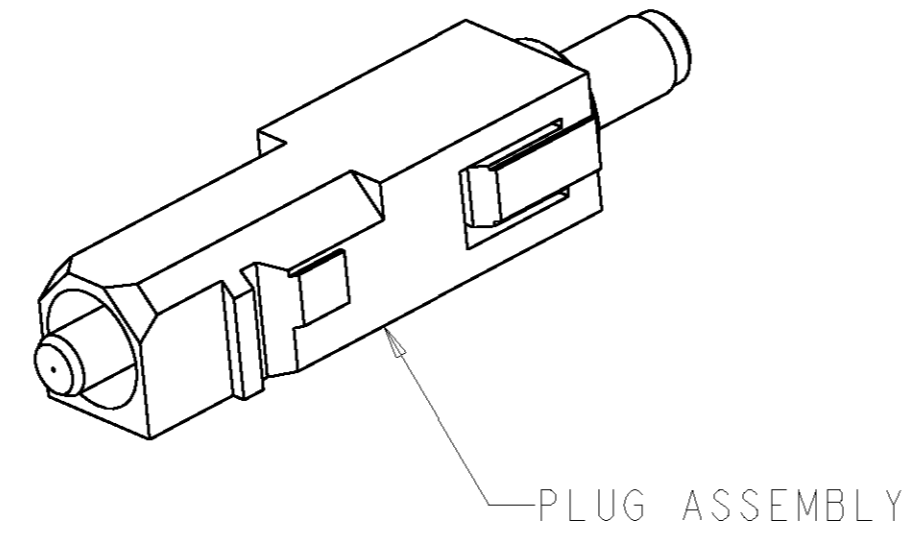
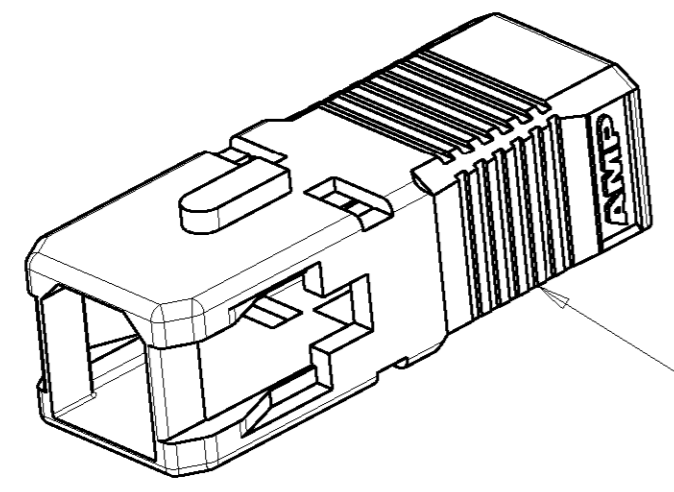
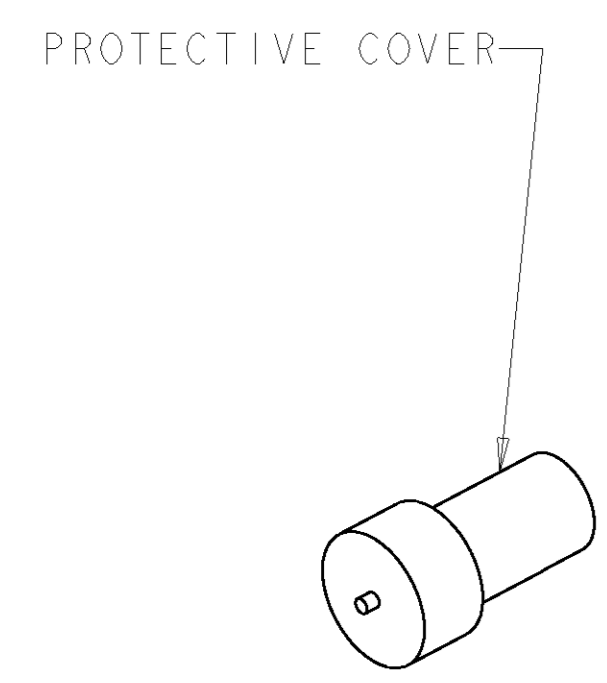
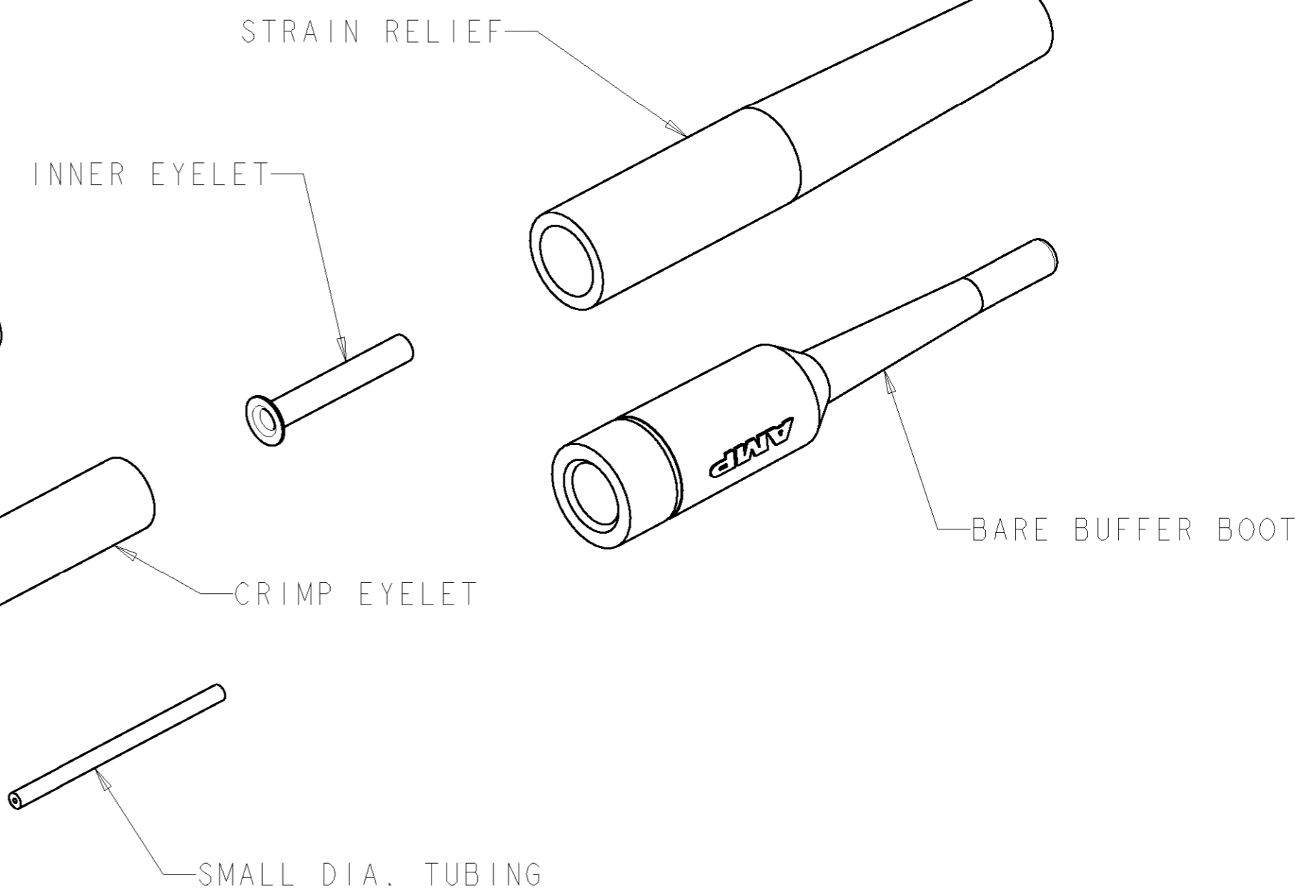


1 MATERIAL:
 PLUG BODY: THERMOPLASTIC, BEIGE
 CONNECTOR HOUSING: THERMOPLASTIC, BEIGE
 INTERNAL BODY: ZINC
 CRIMP EYELET: COPPER
 INNER EYELET: BRASS
 STRAIN RELIEF/BOOT: THERMOPLASTIC ELASTOMER, BEIGE
 CAPILLARY: ZIRCONIA OXIDE

2 FINISH:
 INTERNAL BODY: ELECTROLESS NICKEL
 CRIMP EYELET: TIN

3. INSTRUCTION SHEET #408-4066.

BLACK PVC TUBING
 USED WITH CABLES LESS
 THAN 3.0[.12]



4. ANY JACKETED CABLE USED WITH SC CONNECTORS MUST ALLOW FOR THE AXIAL MOVEMENT OF THE BUFFERED FIBER IN THE CABLE JACKET WHICH OCCURS WHEN AN SC CONNECTOR IS MATED TO ANOTHER CONNECTOR OR DEVICE. CERTAIN CABLE CONSTRUCTIONS DO NOT ALLOW AXIAL MOVEMENT AND ARE NOT SUITABLE FOR USE WITH SC CONNECTORS. REFER TO INSPECTION SPECIFICATION 129-1496 FOR A METHOD OF DETERMINING WHETHER A GIVEN CABLE CONSTRUCTION ALLOWS AXIAL MOVEMENT (RESULT OF THE BUFFER PULL TEST SHOULD MEASURE LESS THAN 2 LBF).

| | | | |
|--|--|--|---|
| THIS DRAWING IS A CONTROLLED DOCUMENT FOR TYCO ELECTRONICS CORPORATION IT IS SUBJECT TO CHANGE AND THE CONTROLLING ENGINEERING ORGANIZATION SHOULD BE CONTACTED FOR THE LATEST REVISION. | | DWN B. BRIGGS 06APR2005 CHK L. SAUERWEIN 06APR2005 APVD S. RUCHTER 06APR2005 | Tyco Electronics Harrisburg, PA 17105-3608 |
| DIMENSIONS: mm [INCHES] | TOLERANCES UNLESS OTHERWISE SPECIFIED: 0 PLC ± 1 PLC ± 2 PLC ±0.13 [.005] 3 PLC ± 4 PLC ± ANGLES ±° FINISH | PRODUCT SPEC APPLICATION SPEC WEIGHT CUSTOMER DRAWING | NAME KIT, CONNECTOR, AMP LightCrimp SC SIMPLEX, MULTIMODE |
| MATERIAL 1 - 2 - | FIBER SIZE 125±2um | PART NUMBER 503692-1 | SIZE A200779 |
| SCALE 7:2 | | SHEET 1 OF 1 | REV F |